

# CTD20080MAMC



## Current transformer



### Benefits

- Suitable for currents up to 200 A.
- Economical solution designed specifically for revenue applications in conjunction with our EM50 energy analyser.

### Description

Measurement Canada approved current transformer with 80 mA output for use with our EM50 energy analyser.

### Applications

The CTD-MC is the ideal solution for revenue applications when used with our EM50 energy analyser. Typical applications include industrial, residential and commercial buildings, marina, camp sites and any applications involving billing for energy use.

### Main features

- Suitable for energy metering applications
- 19.7 mm hole diameter
- cULus Listed (UL2808 / CSA22.2)
- Cable length: 305 mm
- 80 mA secondary output

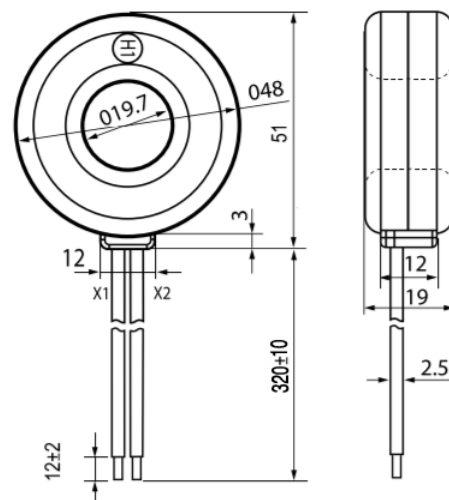


Fig 1.

### Environmental specifications

Operating temperature	-25 C to +70 C
-----------------------	----------------

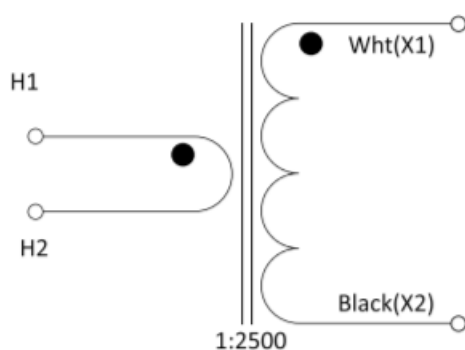
### Conformity

Approvals	 Measurement Canada
-----------	------------------------------------------------------------------------------------------------------

### Electrical specifications

Maximum current (continuous)	1.2 x I <sub>n</sub>
Secondary output	80 mA
Rated system voltage	600 VAC
Accuracy	Class 0.15 (B0.005)
Impulse Insulation (BIL):	10 KV

## Connection Diagram



## References



CTD20080MAMC

### CARLO GAVAZZI compatible components

Purpose	Component name/code key	NOTES
Measure and display consumption of connected circuits	EM50	-

COPYRIGHT ©2020

Content subject to change. Download the PDF: [www.GavazziOnline.com](http://www.GavazziOnline.com)